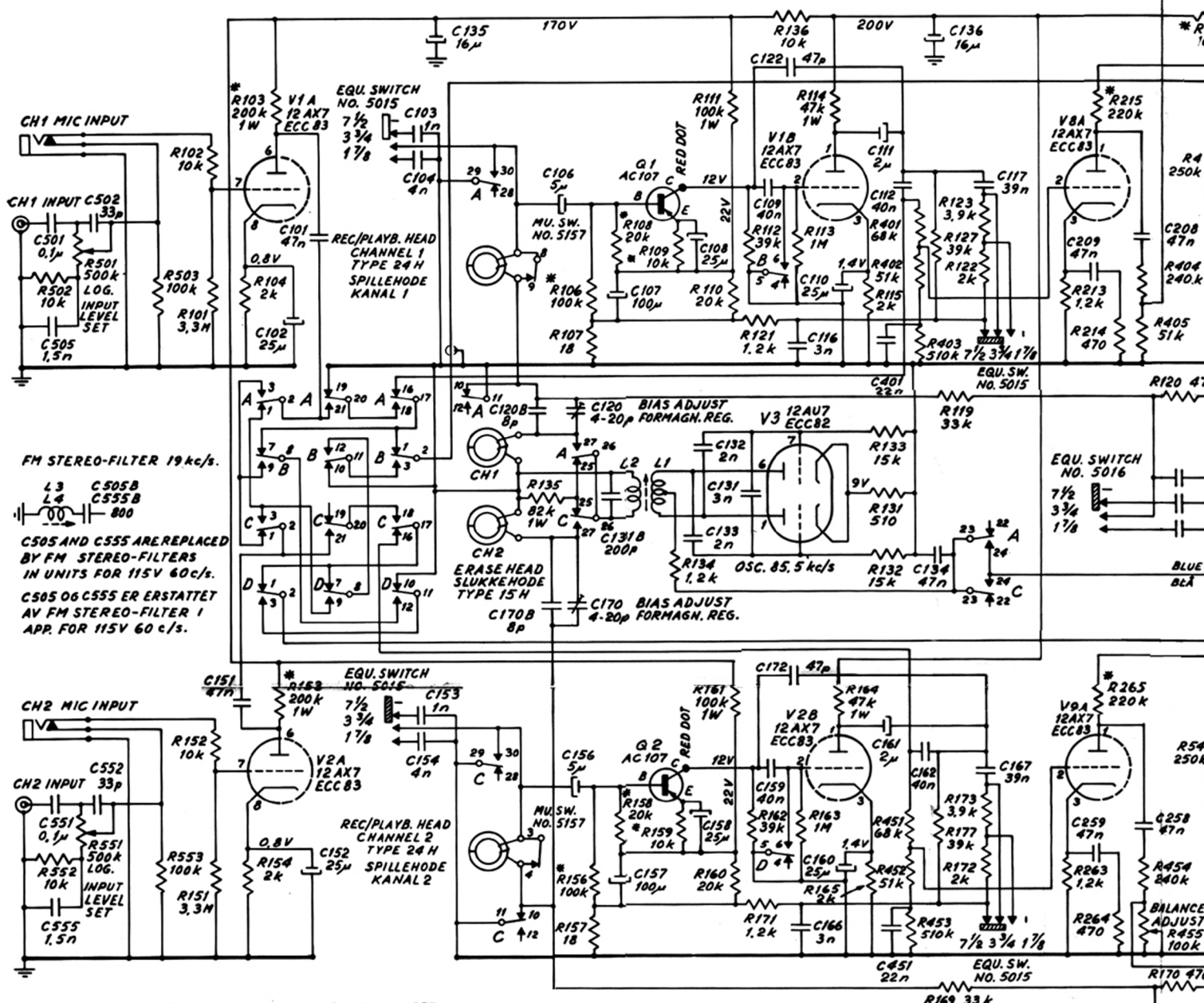
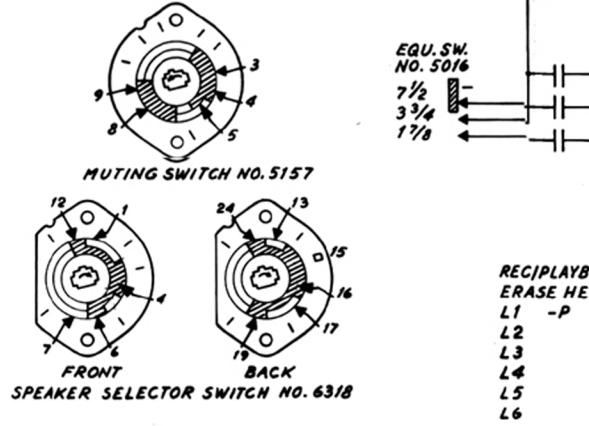
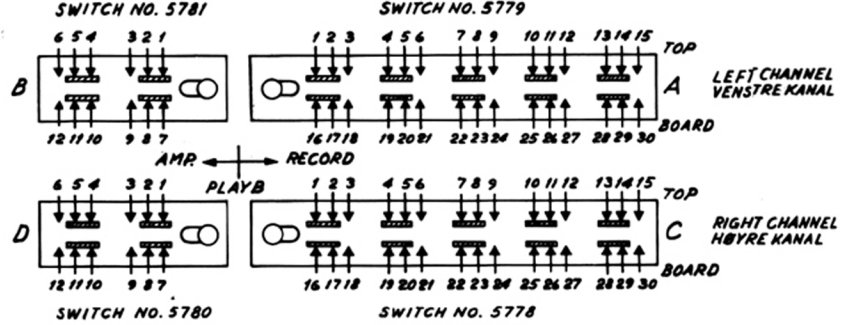


TANDBERG TAPE RECORDER MODEL 74 B
 FROM SERIAL NO. 715001
 APRIL 1964
 DRAWING NO. 6357



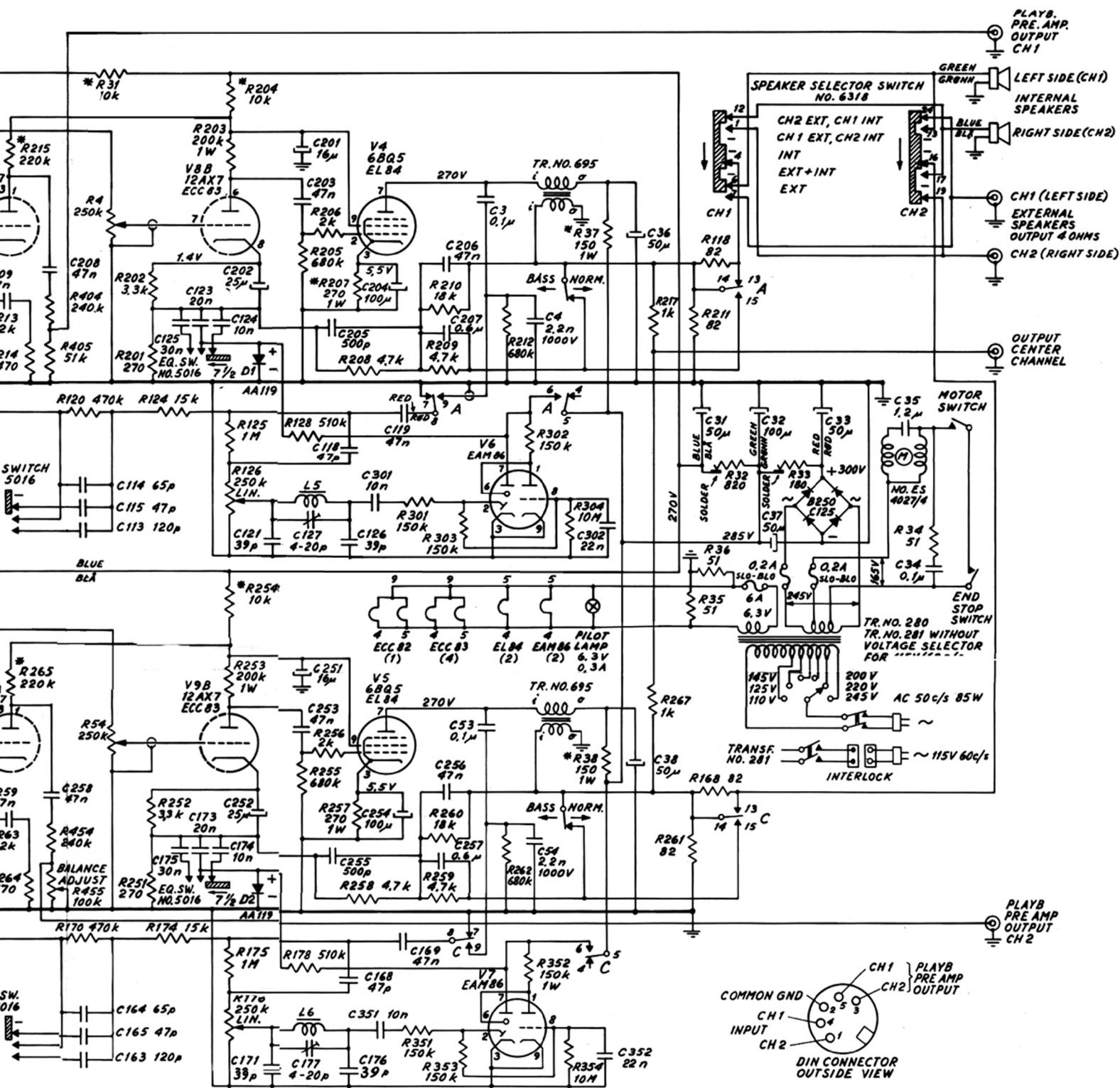
FM STEREO-FILTER 19 kc/s.
 L3 C505B
 L4 C555B
 800

C505 AND C555 ARE REPLACED BY FM STEREO-FILTERS IN UNITS FOR 115V 60c/s.
 C505 OG C555 ER ERSTATTET AV FM STEREO-FILTER I APP. FOR 115V 60 c/s.



SWITCHES IN PLAYBACK POSITION AND TAPE MOTION LEVER IN NEUTRAL POSITION.
 ALL VOLTAGES - EXCEPT FOR V3, V6 AND V7 - ARE MEASURED IN THIS POSITION.

VENDRE I STILLING PLAYBACK OG BETJENINGSSPAK I STILLING NEUTRAL.
 ALLE SPENNINGER - UNDTATT FOR V3, V6 OG V7 - ER MÅLT I DENNE STILLING.



RECIPLAYB. HEAD	ABOUT 140 OHMS
ERASE HEAD	" 90 "
L1 -P	" 30 "
L2	" 12 "
L3	" 75 "
L4	" 75 "
L5	" 50 "
L6	" 50 "

RESISTORS ARE INDICATED IN OHMS. TOLERANCES $\pm 10\%$.
 MOTSTANDER ER ANGITT I OHM.
 k = 1,000 OHMS.
 M = 1,000,000 OHMS.
 * = DEPOSITED CARBON RESISTORS.
 KULLSKIKT-MOTSTANDER.

CAPACITORS ARE INDICATED IN μ FARADS (μ F).
 KONDENSATORER ER ANGITT I
 TOLERANCES $\pm 20\%$.
 n = 1,000 μ FARADS.
 C31, C32, C33 IN THE SAME CAN.
 C36, C37, C38 " " " "